

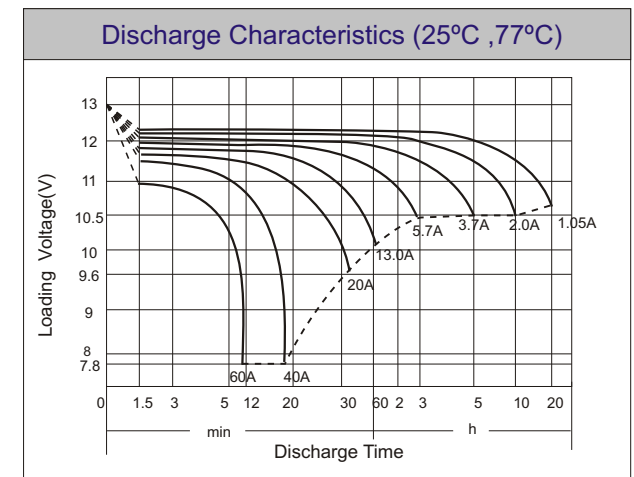
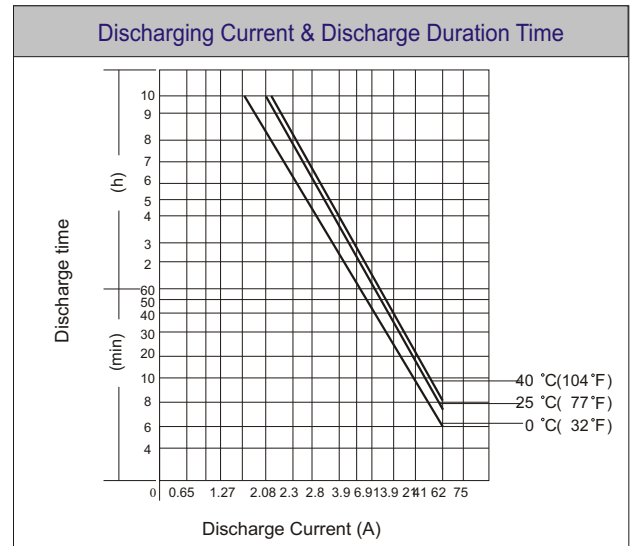
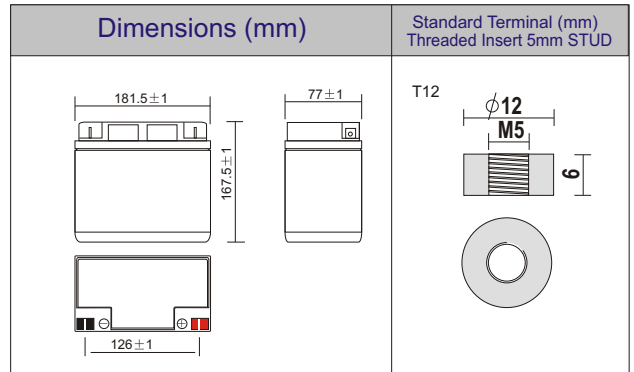


**POWER-GUARD SERIES®**



**PG12V21**

VRLA Sealed Long Life Battery



Physical Specification		
Nominal Voltage	12V	
Nominal Capacity (20HR)	21AH	
Dimension	Length	181.5 ± 1mm (7.14 inches)
	Width	77 ± 1mm (3.03 inches)
	Container Height	167.5 ± 1mm (6.59 inches)
	Total Height (with Terminal)	167.5 ± 1mm (6.59 inches)
Weight	Approx 6kg (13.3lbs)	
Standard Terminal	T12 Threaded Insert 5mm STUD	

Electrical Specification					
Rated Capacity	20 hour rate (1.05 A)	21AH	Constant-Voltage	Cycle	Initial Charging Current less than 6.0A. Voltage 14.4V~15.0V at 25C (77°F) Temp. Coefficient-30mV/°C
	10 hour rate (2.0 A)	20AH			
	5 hour rate (3.7 A)	18.5AH			
	1 hour rate (13 A)	13.0AH			
	15minute rate (40 A)	10.0AH			
Capacity affected by Temperature	40°C (104°F)	103%	Charge	Standby	No limit on Initial Charging Current Voltage 13.5V~13.8V at 25C(77°F) Temp. Coefficient - 20mV/°C
	25°C ( 77°F)	100%			
	0°C ( 32°F)	86%			

Constant Current (Amp) and Constant Power (Watt) Discharge Table (25°C,77°F)												
Time(minute) Final voltage/Cell	5	10	15	20	30	45	60	120	180	300	600	1200
Amp/Watt/Cell	1.3	1.3	1.3	1.3	1.6	1.6	1.67	1.7	1.75	1.75	1.75	1.8
Amps	98.00	60.00	40.00	34.40	25.00	18.00	13.00	7.80	5.70	3.70	2.00	1.05
W/Cell	166.00	114.20	77.60	67.60	49.40	35.80	25.80	15.60	11.20	7.40	4.00	2.10